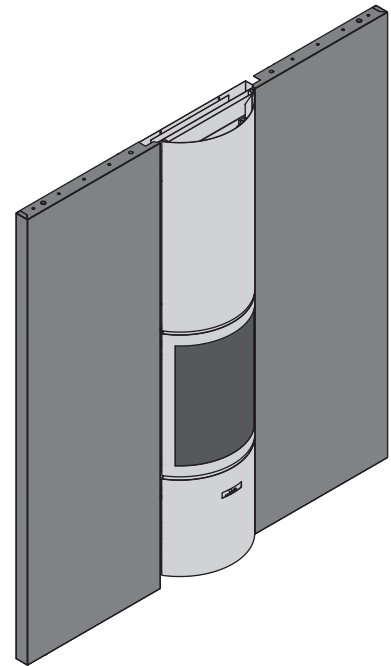


30-in facade | The stove



3 doors	glass door, closed door, open fire
control of the fire	precision control of combustion air
air-tightness	control over the distribution of combustion air; sweeping of the glass, no consumption of room air; no CO in the living room
excellent efficiency	even at half-power
low pollutant levels	low emission of CO and fine particles even at half-power
outside air inlet	under the stove
economical	low wood consumption
for traditional and energy-efficient homes	✓
180-mm smoke outlet	above
adaptable	various widths and finishes available



TECHNICAL SPECIFICATIONS

GENERAL

TYPE OF SYSTEM	fitted
MATERIALS	steel + refractory panels
COLOUR	Stuv grey
LOADING	manual
FUEL	wood
POSITION OF LOGS	vertical
LENGTH OF LOGS	hor. 50 cm
LENGTH OF LOGS	vert. 33 cm

WEIGHT / DIMENSIONS

WEIGHT	200kg
Ø OF SMOKE DUCT	180mm
Ø HOT-AIR OUTLETS	150mm
Ø OUTSIDE AIR INLET	100mm

AIR

DIRECT OUTSIDE INLET	✓
CONTROL OF PRIMARY AIR	✓
CONTROL OF SECONDARY AIR	✓
POST-COMBUSTION	✓
AIR-TIGHTNESS	+++
FAN	○
OVERHEATING INDICATOR	✗

PERFORMANCE

OUTPUT	10kW
USAGE RANGE	5-12kW
EFFICIENCY	81%
CO EMISSIONS	0.05%
FINE PARTICLE EMISSIONS	28mg/Nm ³
RANGE OF WOOD CONSUMPTION	1.7 - 3.3kg/h
MINIMUM DRAW	12Pa
SMOKE MASS FLOW	8.1 g/s
AVERAGE SMOKE TEMPERATURE	263°C
CONSUMPTION OF ROOM AIR FOR COMBUSTION	22m ³ /h
ENERGY EFFICIENCY INDEX (EEI)	108
ENERGY EFFICIENCY CLASS	A+

MIN. THICKNESS OF INSULATION BETWEEN STOVE AND COMBUSTIBLE MATERIALS

BACK FACE	4 cm
SIDE FACE	4 cm
UPPER FACE	9 cm
INSIDE FACE	0 cm

ACCESSORIES / EQUIPMENT

ACCUMULATION	✗
CUPBOARD	✗
BARBECUE	○
ASHTRAY	✓
CONVECTION	✓
FAÇADE	○
OPEN FIRE	✓
MOBILOBOX	✗
GROUND PLATE	○
READY-TO-FIT	○
LOG RACK	○
ROTARY FUNCTION	✗
BASE	✗
FAN	○
RETRACTABLE GLASS	✗

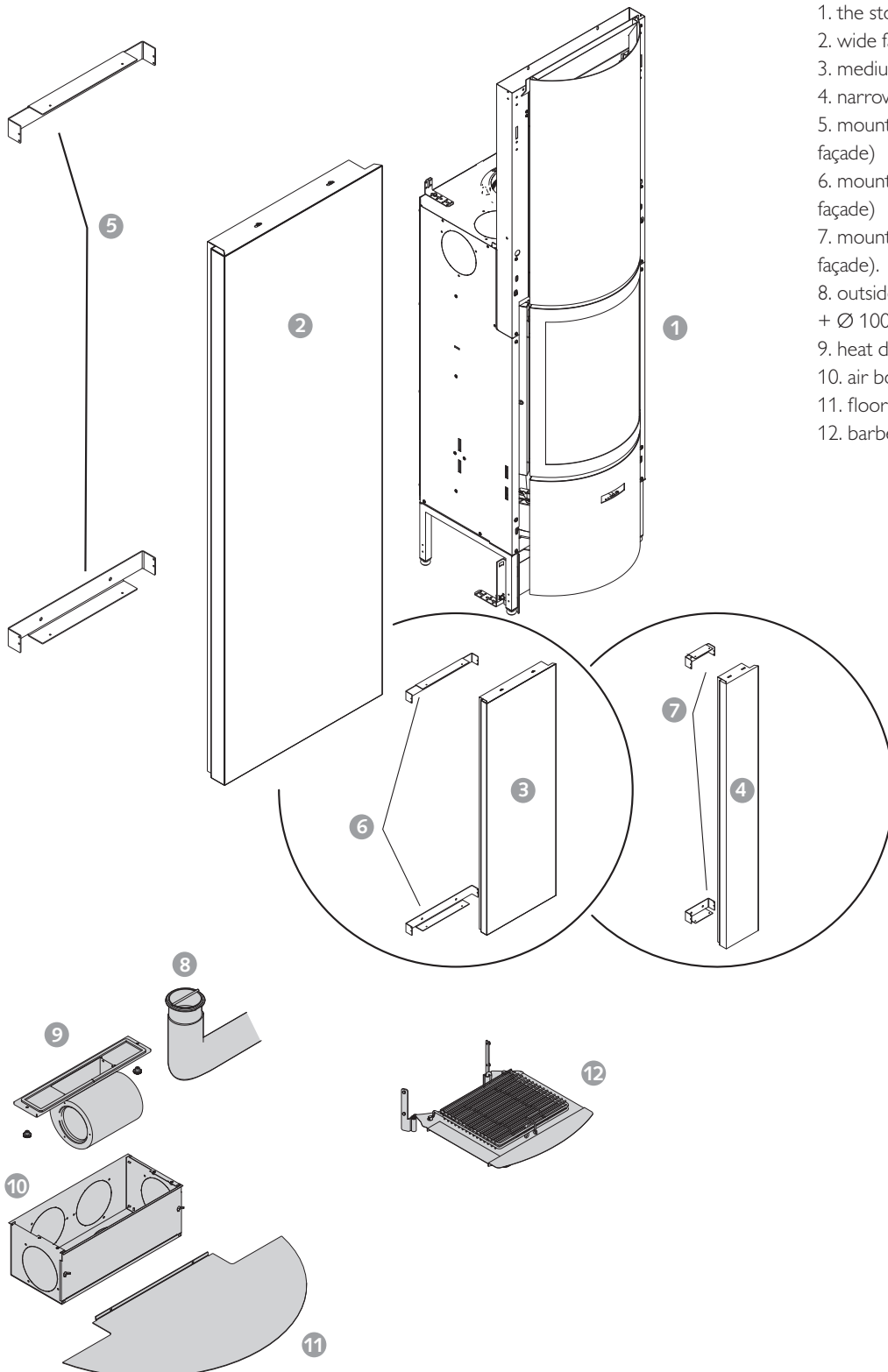
LEGEND

✓	STANDARD
✗	UNAVAILABLE
○	OPTIONAL

30-in facade | Cladding

STUV

THE BASIC STOVE AND ITS OPTIONAL FEATURES

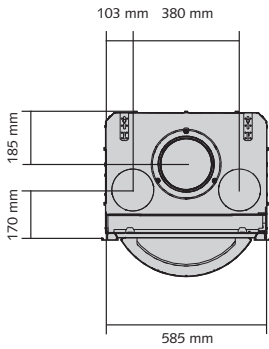


1. the stove
2. wide façade (680 mm)
3. medium façade (580 mm)
4. narrow façade (280 mm)
5. mounting angle (for wide façade)
6. mounting angle (for medium façade)
7. mounting angle (for narrow façade).
8. outside air intake kit: Flue outlet + Ø 100 mm flexible tubing (3 m)
9. heat distribution kit (fan)
10. air box
11. floor finishing plate
12. barbecue kit

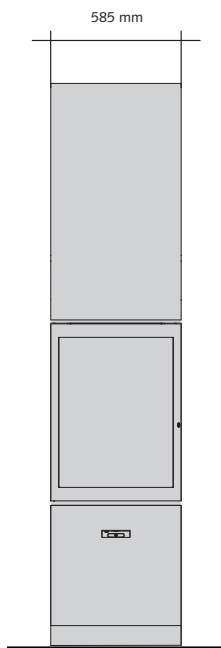
30-in facade | The stove



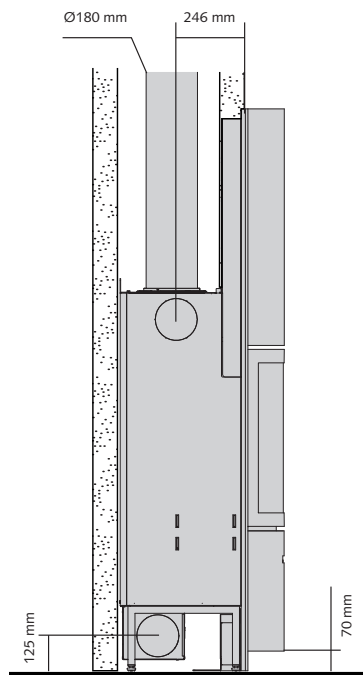
VIEW FROM ABOVE



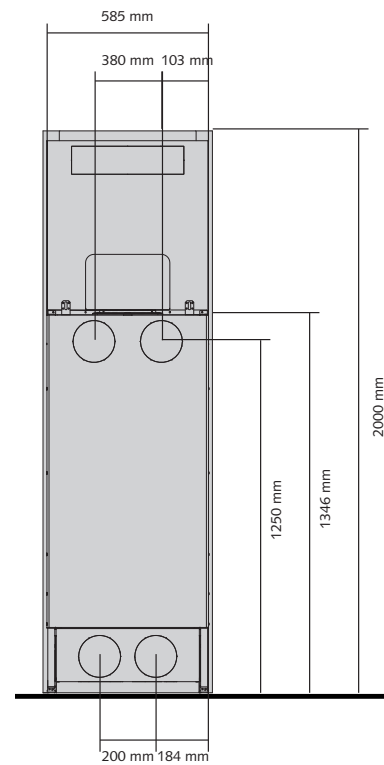
VIEW OF FRONT



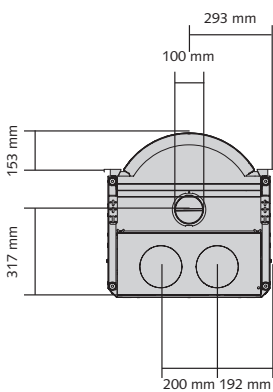
VIEW OF PROFILE



VIEW FROM BACK



VIEW FROM BEHIND

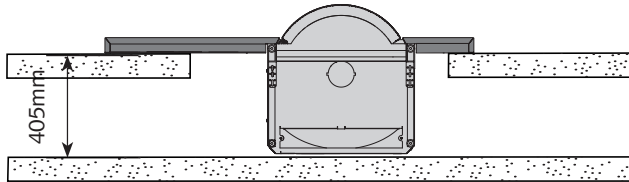


30-in facade | Cladding

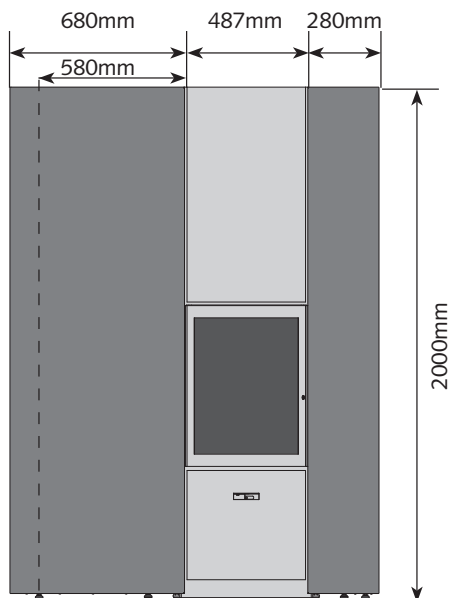


DIMENSIONS OF THE 30-IN - FACADE PARALLEL TO WALL*

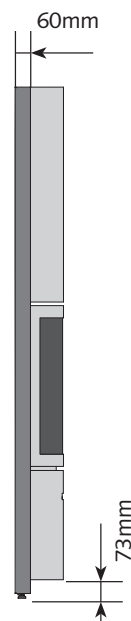
VIEW FROM BELOW



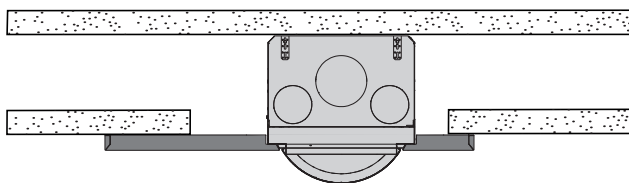
VIEW OF FRONT



VIEW OF PROFILE



VIEW FROM ABOVE

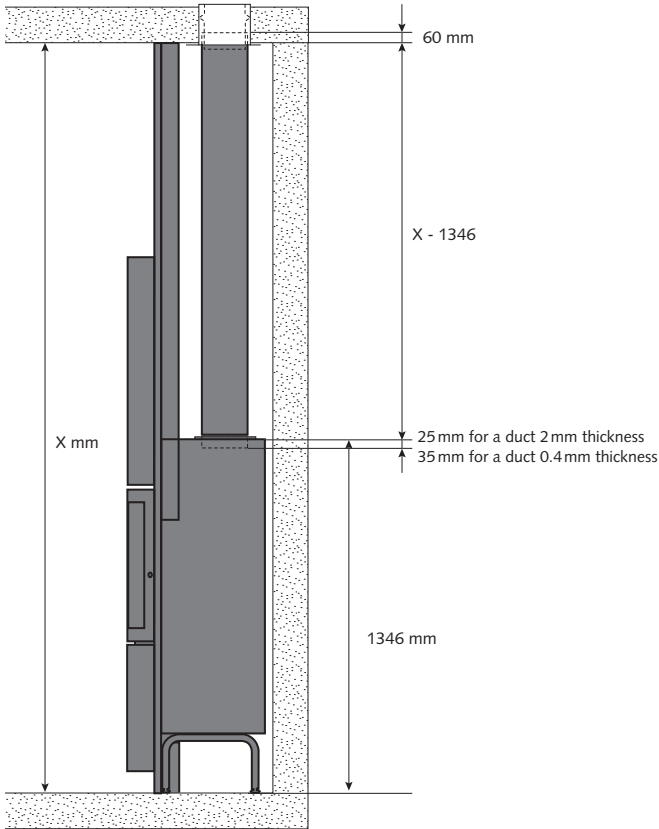


*Façade panels available in three widths: 280, 580 and 680 mm

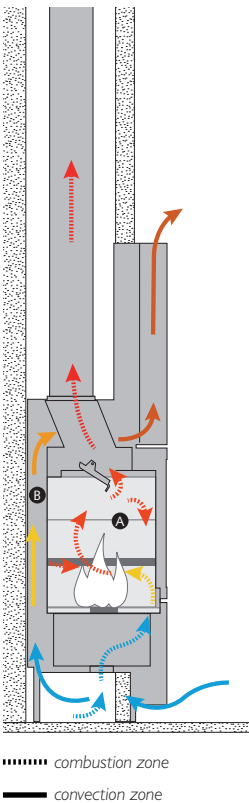
30-in facade | The stove



SMOKE OUTLETS



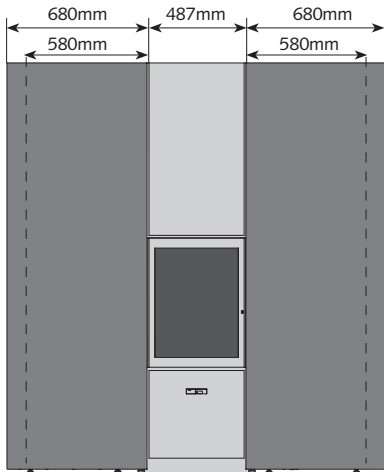
COMBUSTION & CONVECTION AIR



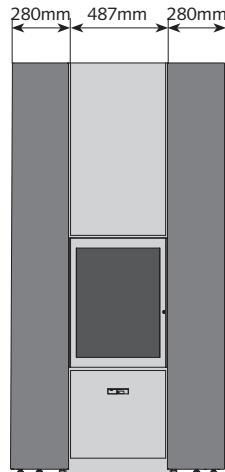
30-in facade | Configurations



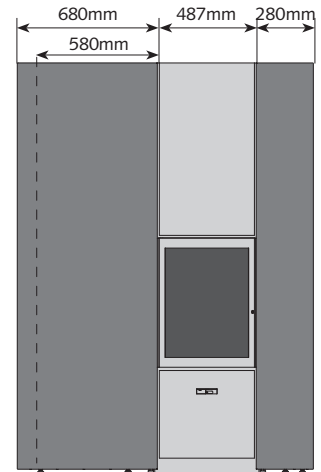
SYMMETRICAL WIDE



SYMMETRICAL NARROW



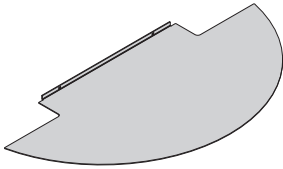
ASYMMETRIC RIGHT OR LEFT



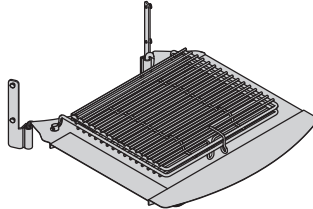
30-in facade + accessories



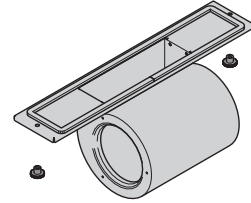
GROUND PLATE



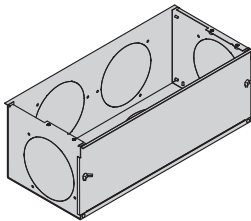
BARBECUE



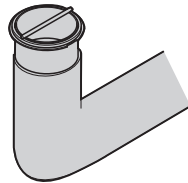
VENTILATION KIT



AIR CASE



AIR INLET KIT



MOBILE LOG HOLDER

